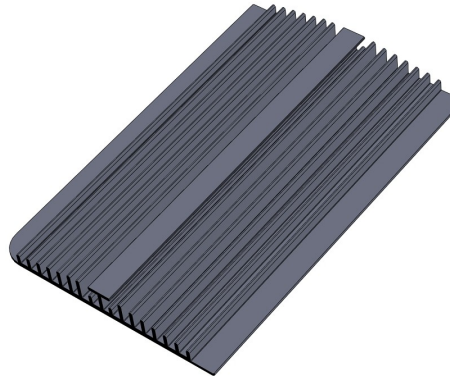


NEARLY DONE

Fitting Heatsink

You are now ready to fit the XSC heat sink. Please look at the heat sink and fitting area. You will note that the two rounded corners of the heat sink are not the same, be sure to put the small corner to the top of the Xtreamer, when fitting.

You can practice the fitting of the heat sink to the Xtreamer, as long as there is no sticky tape left on the Xtreamer case, and the protective film has not been removed from the heat sink. Of course the TIM will spread during practice, do not worry apply a little more if needed.



Once you are ready you can remove the protective film from the back of the heat sink (in four places) and then fit the XSC heat sink to the Xtreamer. Take care, once in place it will not be easy to remove / re-fit it. Once in place firmly press the heat sink into place, ensuring that the four edges are all neatly in line with the plastic body. This guarantees optimal performance from the heat sink. When the Xtreamer is turned on, you should notice that the XSC heat sink becomes slightly warm, this means it is working correctly. If after a few hours of use, the heat sink is not warm, the new cooler has not been fitted correctly – unplug the Xtreamer and check that the heat sink is in line with the plastic on all four sides

The Xtreamer base can still be used safely. The Xtreamer should be used on its stand (vertical) or on its side (horizontal) with the XSC heat sink to the top.

If these instructions are followed correctly, then your warranty is still valid.

Enjoy your new silent Xtreamer !

Tranquil PC Limited
<http://www.tranquilpc.co.uk>

See Us at
<http://www.thextreamer.com>

Contact Us at
sales@thextreamer.com

brought to you by

TRANQUIL PC LIMITED

XTREAMER COOLER

FITTING INSTRUCTIONS



Thank you for your purchase of the
Xtreamer Side Cooler
The cool silent solution

Tranquil PC Limited
<http://www.tranquilpc.co.uk>

See Us at
<http://www.thextreamer.com>

Contact Us at
sales@thextreamer.com

FITTING INSTRUCTIONS

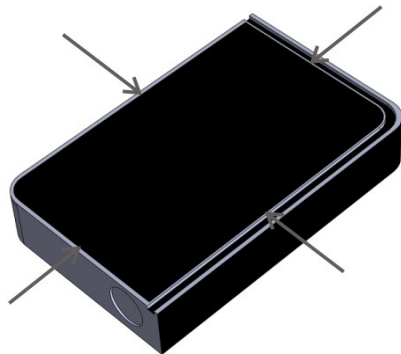
The fitting of the XSC will remove the need for the use of the fan in the Xtreamer. The process of upgrading the cooler is simple, but we do recommend that this short instruction guide is completely read before starting. Once completed, you should turn OFF the fan in the MISCL menu of the Xtreamer setup screen. Also you will want to set the fan to 0/50 if you are running the Xtreamer in NAS mode.

To complete the upgrade, you will require all components in this kit and a small flat bladed screwdriver, or kitchen knife (take care, always point any sharp objects away from you when in use).

Removing the SIDE plate and INNER heat sink

Firstly place your Xtreamer on a flat surface, with the side displaying the A/V connector details facing downwards, as show in the diagram below. Do not remove the plate with the 'connector information details' on it.

CARE – Take a small flat bladed screwdriver or other sharp instrument, and carefully insert it between the shiny black metal edge and the thin plastic wall – in any of the positions shown in the figure to the right. Once you have created a small gap, then carefully use the instrument to edge around the rest of the metal plate.



IMPORTANT - DO NOT insert the instrument in further than 10-15mm or the instrument may touch the electronics.

Once completed you can remove the existing side plate, which exposes the silver inner Xtreamer heat sink.

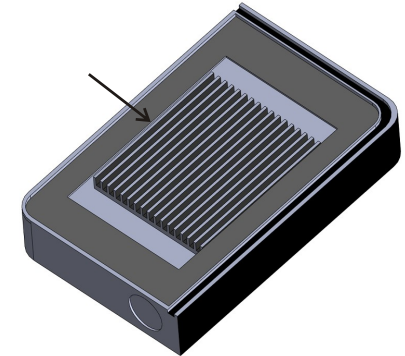
FITTING INSTRUCTIONS

Removing the SIDE plate and INNER heat sink

(cont.)

Lever back the plastic edge of the Xtreamer case where shown in the figure. This releases the inner heat sink. Remove the inner (silver) heat sink completely.

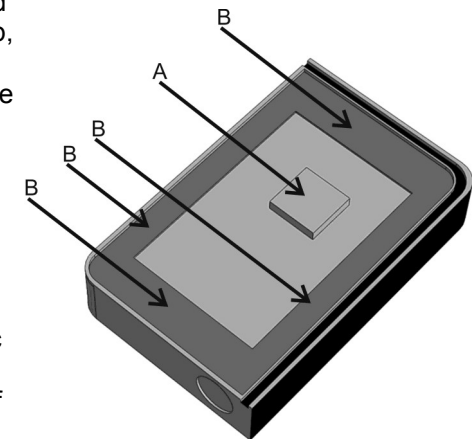
Once removed you will see the main chip, with a little white Thermal Interface Material (TIM) on the surface.



Please dispose of the original side plate and the inner heat sink responsibly.

Preparing and fitting the new XSC heat sink

To prepare for the fitting of the XSC heat sink, please apply a small amount of the new TIM (included with this kit) to the top of the chip, marked A in the drawing. The new TIM will spread out when the XSC is fitted, so spread it out over the chip surface (any surplus will be expelled when the XSC heat sink is pressed into place).



Also remove all surplus sticky tape left on the on the flat plastic surfaces marked B in the diagram. If there are any pieces of tape left over, the new XSC will not fit in place correctly, neither will you be able to practice fit the XSC.